

LVMP HIGH TRANSFER EFFICIENCY GUN SERIES



T-AGHV

Compact Automatic Spray Gun

- Save more than 15~20% paint.
- Decrease air consumption.

GUN TYPE	Gun Inlet Pressure (MPa)	Air Cap Pressure (MPa)	Air Consumption (NL/min.)
T-AGHV-5805-DFX LVMP GUN	0.25	0.20	280
T-AGHV-546-FX HVLP GUN	0.45	0.09	750
T-AGB-872-777-FX STANDARD GUN	0.40	0.35	500

- Calculation for the merit of low air consumption.

LVMP = $0.28 \times 60 \times 5 \times 200 = 16,800\text{m}^3 \times 3\text{円} = \text{¥} 50,400/\text{year}$

HVLP = $0.75 \times 60 \times 5 \times 200 = 45,000\text{m}^3 \times 3\text{円} = \text{¥} 135,000/\text{year}$

Air Gun = $0.50 \times 60 \times 5 \times 200 = 30,000\text{m}^3 \times 3\text{円} = \text{¥} 90,000/\text{year}$

*Assuming the operating hours as 5hrs/day × 200 days.

*Air 1m³=¥3

Low Volume Medium Pressure

HIGH TRANSFER EFFICIENCY

LOW AIR CONSUMPTION

FINE ATOMIZATION



Comparing the existing Air Spray Gun or HVLP gun, LVMP gun makes higher transfer efficiency and better atomization possible with less air consumption.

The difference of the transfer efficiency between standard spray gun and HVLP gun is the air velocity. The both air velocities are in the same sound-speed area when an instant of coming out from the air cap. However, when it becomes the distance of approximately 200mm, it generates large difference.

Why does LVMP have better transfer efficiency?

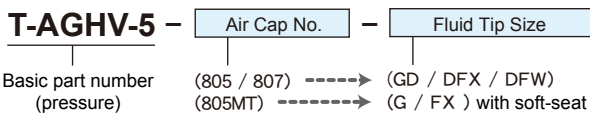
Therefore, if the velocity is low at 200mm distance, the transfer efficiency becomes better even atomized with higher air pressure than HVLP.

● Spray Distance=200mm

Gun Types	Gun Inlet Pressure MPa	Air Cap Pressure MPa	Air Consumption NL/min.	Air Velocity m/sec.	Transfer Efficiency %
T-AGHV-5805-DFX (LVMP Gun)	0.25	0.20	280	16	74
T-AGHV-546-FX (HVLP Gun)	0.45	0.09	750	19	55
T-AGB-872-777-FX (Standard Gun)	0.40	0.35	500	22	44

MODELS

● For your ordering reference :



ACCESSORIES

- **HD-505** : Quick Cleaner(5ℓ)
- **SSL-10** : Gun Lube(60mℓ)
- **42884-214-K5** : Cleaning Brush Kit of 5
- **GC-100-K48** : Gun Cover Kit of 48
- **KK-5033-805** : Air Cap Test Kit
- **KK-5033-807** : Air Cap Test Kit
- **KK-5033-805MT** : Air Cap Test Kit

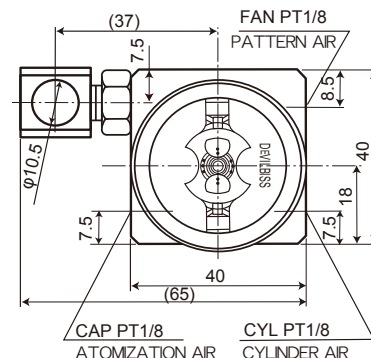
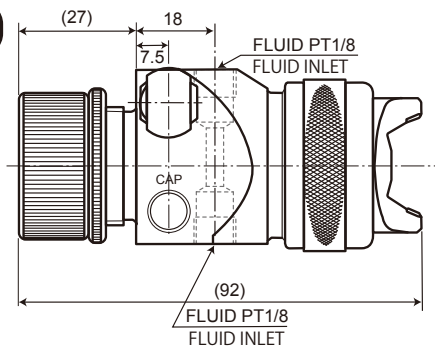
Air Cap, Fluid Tip Selection

Fluid Tip Size	Air Cap No.		
	805	807	805MT
GD (0.7mm)	○	○	G (0.7mm)
DFX (1.1mm)	○	○	FX (1.1mm)
DFW (1.6mm)	○	○	—
Spray Pattern (Spray Distance=200mm)	220 mm	300 mm	220 mm

SPECIFICATIONS

- Atomization Air Pressure (Gun Inlet) : 0.4 MPa (4.0kgf/cm²)
- Fluid Pressure : 0.7 MPa (7.0kgf/cm²)
- Working Pressure : 0.35~0.5 MPa (3.5~5.0kgf/cm²)
- Weight : 510 g
- Fluid Inlet : R1/8
- Cylinder Air Inlet (CYL) : R1/8
- Atomization Air Inlet (CAP) : R1/8
- Pattern Air Inlet (FAN) : R1/8
- Measurement : D92×W40×H40

Dimensions



*For improvement purpose, Design & Specifications may change without prior notice.

DEVILBISS

CFT Ransburg Japan KK

15-5, Fukuura 1-chome, Kanazawa-ku, Yokohama, Kanagawa Japan 〒236-0004
TEL : +81-45-785-6434 / FAX : +81-45-785-6517

HP <http://www.carlisleleft.co.jp>

©DEVILBISS is a registered trademark of Carlisle Fluid Technologies.

For more information, please contact: